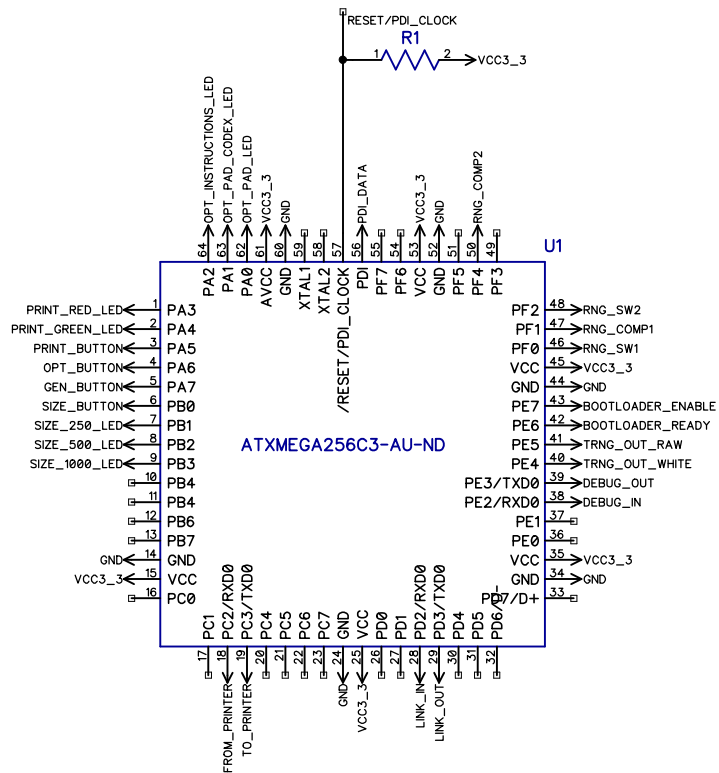


B

1

2

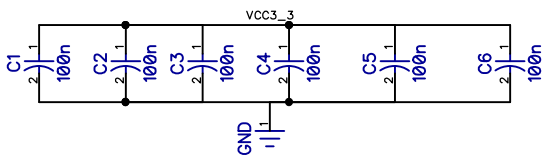


B

A

A

### MCU Power Conditioning

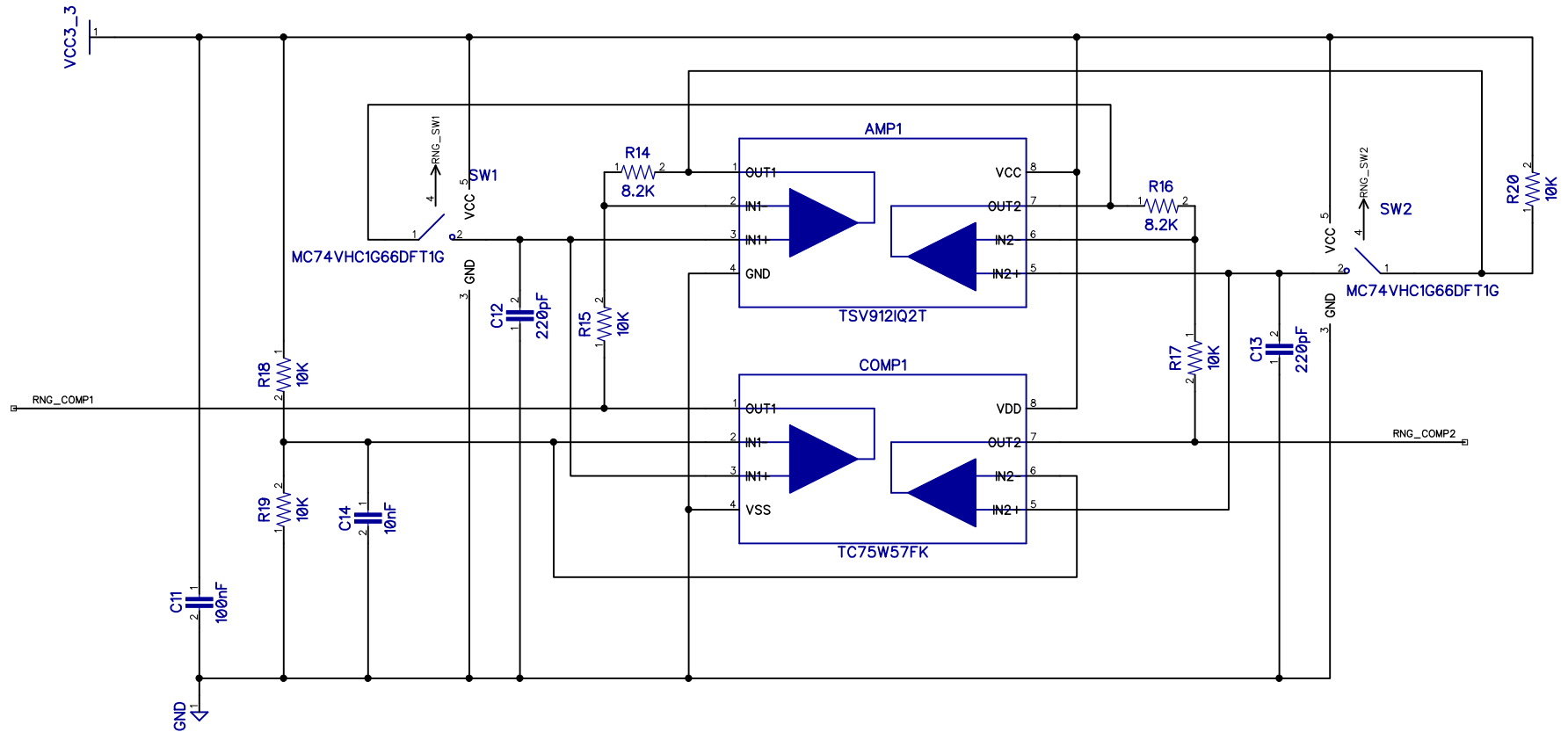


2

1

AmRRON Dark Labs ADL-1 One Time Pad Field			
SIZE	FSCM NO.	DWG NO. 1	REV 2.2
SCALE	CPU		

RNG is the Infinite Noise TRNG as documented at <https://github.com/waywardgeek/infnose>



All USB supporting components in original schematic are not needed and are removed.

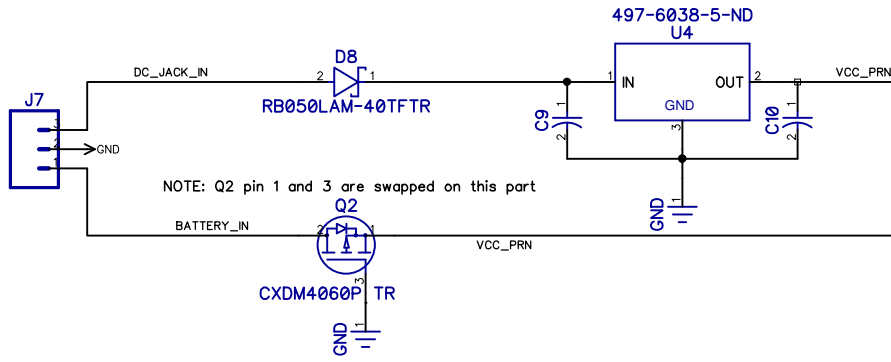
AmRRON Dark Labs ADL-1 One Time Pad Field

SIZE	FSCM NO.	DWG NO. 1	REV 2.2
SCALE		RNG	

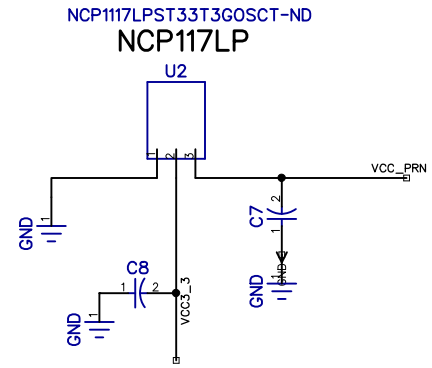
2

1

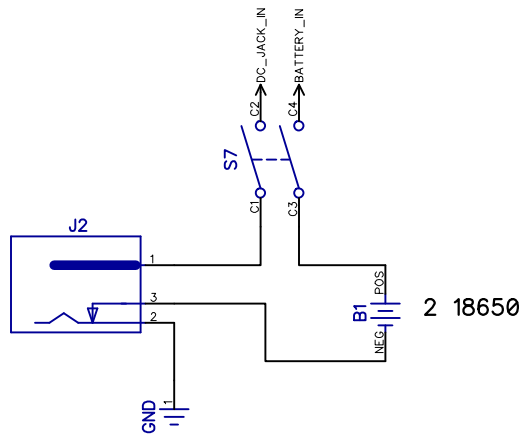
### Power Supply 7.5 / 9 V



### 3.3 Volt MCU Power



### Offboard Power



AmRRON Dark Labs ADL-1 One Time Pad Field

SIZE	FSCM NO.	DWG NO. 1	REV 2.2
SCALE		Power	

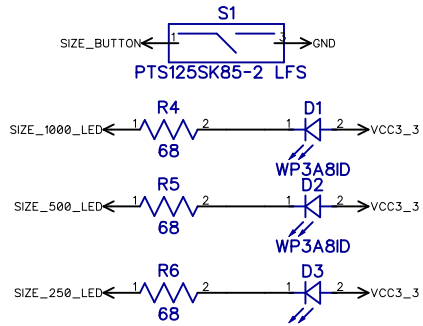
2

1

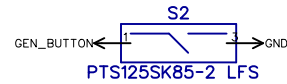
2

1

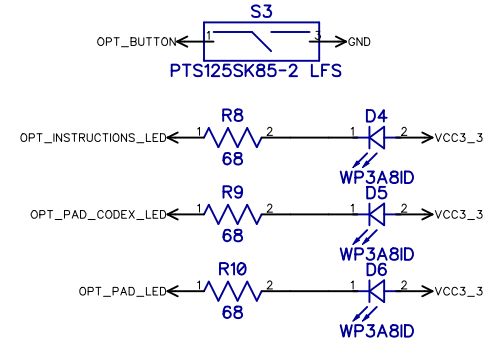
### Size Interface



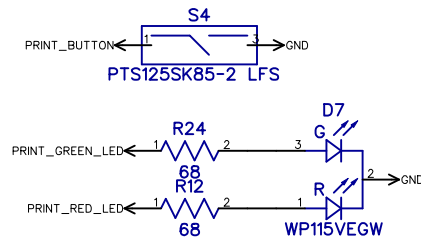
### Generate Interface



### Format Interface



### Print Interface



B

B

A

A

AmRRON Dark Labs ADL-1 One Time Pad Field

SIZE	FSCM NO.	DWG NO. 1	REV 2.2
SCALE		Interface	

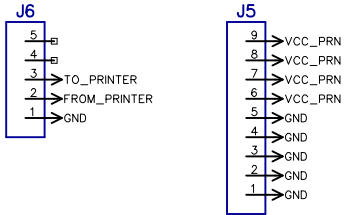
2

1

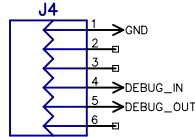
2

1

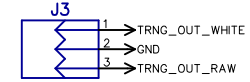
### Printer Connection



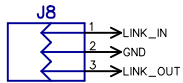
### Debug Port



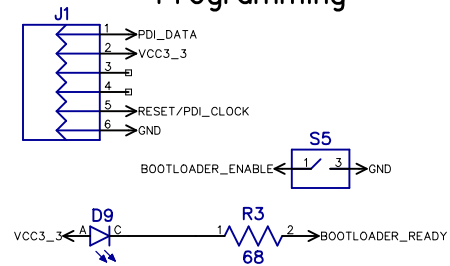
### RNG Debug Output Select



### Aux Connection



### Programming



AmRRON Dark Labs ADL-1 One Time Pad Field

SIZE	FSCM NO.	DWG NO. 1	REV 2.2
SCALE		Offboard Connectors	

2

1